

MODEL # CIMR-JU	VOLTAGE THREE PHASE (VAC)	OUTPUT CURRENT (A)		WEIGHT LBS (Kg)	HEAT LOSS (W)					
		ND	HD		ND (Fc=2kHz)			HD (Fc=8kHz)		
					INT	EXT	TOT	INT	EXT	TOT
2A0020BXX	208/240	19.6	17.5	5.3 (2.4)	46.3	98.7	145.0	43.3	110.5	153.8
4A0011BXX	380/480	11.1	9.2	5.3 (2.4)	46.0	81.7	127.7	41.5	107.2	148.7

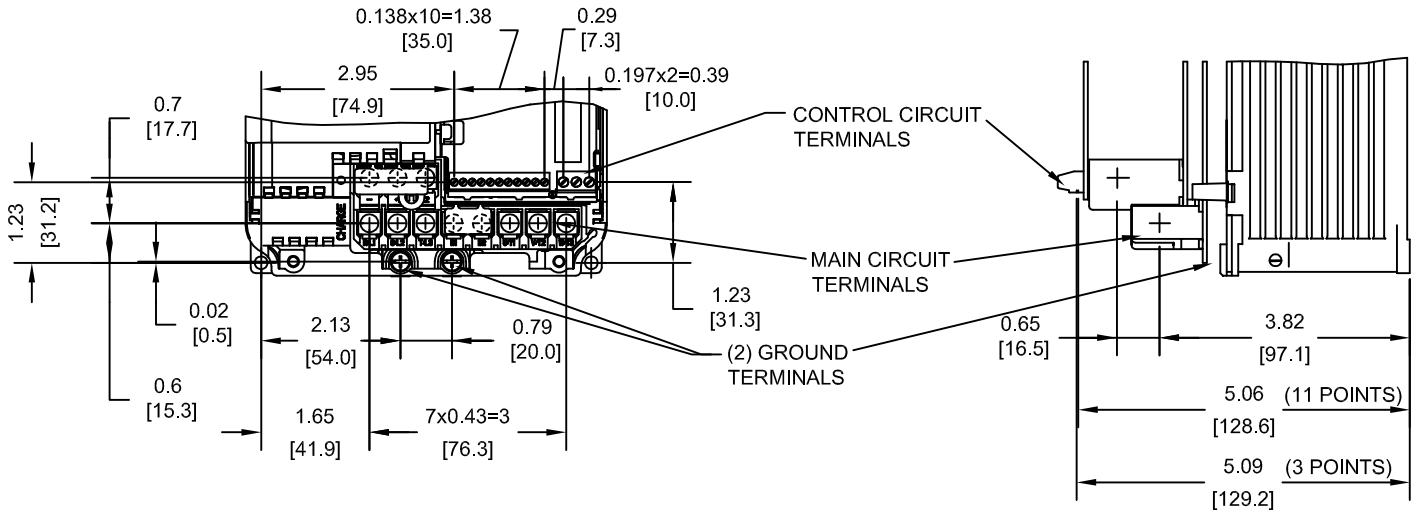
NOTE:
XX DENOTES AA-ZZ

INT=INTERNAL COMPONENTS
EXT=EXTERNAL HEATSINK
TOT=TOTAL

FOR ADDITIONAL DETAILS AND SPECIFICATIONS, CONSULT MANUAL

TOLERANCES / REFERENCES:		<p>YASKAWA The Drive for Quality™</p> <p><i>THIS DOCUMENT AND INFORMATION CONTAINED IN IT ARE CONFIDENTIAL, AND CANNOT BE COPIED OR DISCLOSED IN WHOLE OR IN PART WITHOUT THE EXPRESS WRITTEN CONSENT OF YASKAWA ELECTRIC AMERICA INC.</i></p>	DRAWN: J. MATTAS DATE: 8-1-08	DATE: 8-1-08	TITLE: J1000 DIMENSION DRAWING FRAME SIZE 11 OPEN ENCLOSURE (IP20 RATING) 2A0020B & 4A0011B	
UNITS: IN [mm]	SCALE: 1: 4		CHECKED: J. PIOTROWSKI DATE: 4-16-09	DATE: 4-16-09		SIZE: A REVISION: R00 PAGE: 1 of 3
			TECH: J. CAIRO DATE: 5-11-09	DATE: 5-11-09		DRAWING #: DD.J1K.FR11.IP20
		APPROVED: T. SASADA DATE: 5-14-09	DATE: 5-14-09			
		ORIGINAL DESIGN: -	DATE: -			

TERMINAL AND WIRING DETAILS (SCALE 1:3)



TERMINAL AND WIRE SPECIFICATIONS FOR
MAIN CIRCUIT AND GROUND

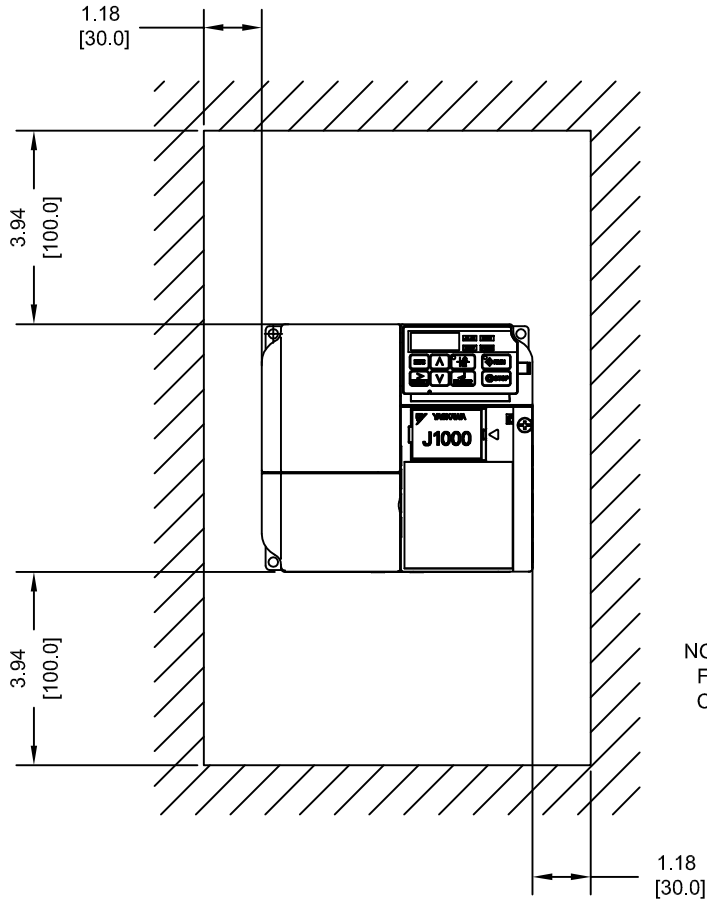
MODEL #	TERMINAL SCREW	CLAMPING TORQUE lb.in.(N.m.)	WIRE RANGE AWG(mm ²)
2A0020B	M4	10.6 TO 13.3 (1.2 TO 1.5)	22-10 (0.33-5.5)
4A0011B	M4	10.6 TO 13.3 (1.2 TO 1.5)	22-10 (0.33-5.5)

NOTE: RATINGS APPLY TO BOTH FACTORY AND FIELD WIRING
REFER TO APPLICABLE CODES FOR PROPER WIRE TYPE AND SIZE

FOR ADDITIONAL DETAILS AND SPECIFICATIONS, CONSULT MANUAL

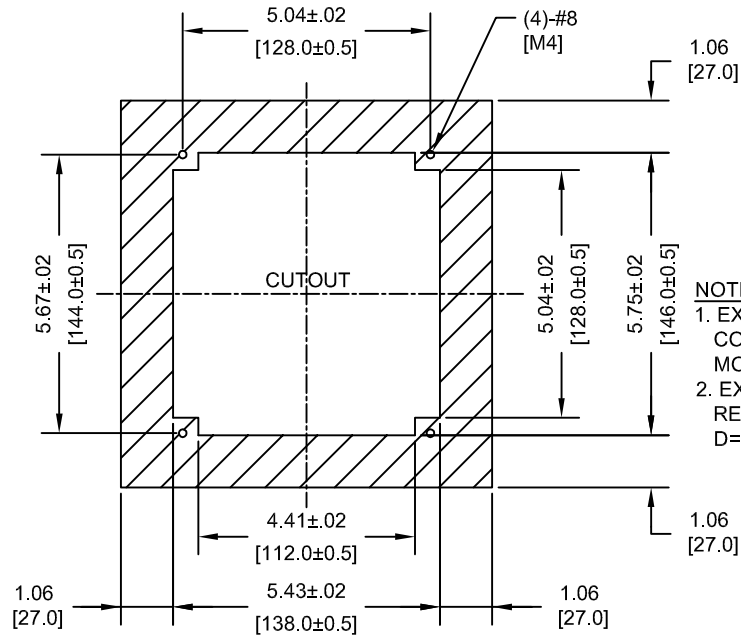
TOLERANCES / REFERENCES:		<p>THIS DOCUMENT AND INFORMATION CONTAINED IN IT ARE CONFIDENTIAL, AND CANNOT BE COPIED OR DISCLOSED IN WHOLE OR IN PART WITHOUT THE EXPRESS WRITTEN CONSENT OF YASKAWA ELECTRIC AMERICA INC.</p>	DRAWN: J. MATTAS DATE: 8-1-08	TITLE: J1000 DIMENSION DRAWING FRAME SIZE 11 OPEN ENCLOSURE (IP20 RATING) 2A0020B & 4A0011B
UNITS: IN [mm]			CHECKED: J. PIOTROWSKI DATE: 4-16-09	TECH: J. CAIRO DATE: 5-11-09
SCALE: BY VIEW			APPROVED: T. SASADA DATE: 5-14-09	ORIGINAL DESIGN: - DATE: -
			SIZE: A REVISION: R00 PAGE: 2 of 3	DRAWING #: DD.J1K.FR11.IP20

MINIMUM INSTALLATION CLEARANCES (SCALE 1:4)



NOTE:
FOR SIDE-BY-SIDE MOUNTING
CONSULT MANUAL

PANEL CUTOUT FOR EXTERNAL HEATSINK
MOUNTING CONFIGURATION (SCALE 1:4)



NOTES:
1. EXTERNAL HEATSINK
CONFIGURATION REQUIRES
MOUNTING KIT
2. EXPOSED HEATSINK
RECOMMENDED CLEARANCE
D=2.76" MINUS PANEL THICKNESS

TOLERANCES / REFERENCES:



THIS DOCUMENT AND INFORMATION CONTAINED
IN IT ARE CONFIDENTIAL, AND CANNOT BE
COPIED OR DISCLOSED IN WHOLE OR IN PART
WITHOUT THE EXPRESS WRITTEN CONSENT
OF YASKAWA ELECTRIC AMERICA INC.

DRAWN:
J. MATTAS

CHECKED:
J. PIOTROWSKI

TECH:
J. CAIRO

APPROVED:
T. SASADA

ORIGINAL DESIGN:
-

DATE
8-1-08

DATE
4-16-09

DATE
5-11-09

DATE
5-14-09

DATE
-

TITLE:
J1000 DIMENSION DRAWING
FRAME SIZE 11
OPEN ENCLOSURE (IP20 RATING)
2A0020B & 4A0011B

SIZE A	REVISION R00	PAGE 3 of 3
-----------	-----------------	----------------

DRAWING #:
DD.J1K.FR11.IP20

UNITS: IN [mm] SCALE: BY VIEW